



 neovo

2022 PRODUCT CATALOGUE

## Inside This Brochure

### > Engineered to Perform, Built to Last

Security & Surveillance	2
Digital Signage	2
Professional Desktop / IT	2
Video Wall	3
Meeting & Collaboration	3

### > AG Neovo Innovations

NeoV™ Optical Glass	4
Anti-Burn-in™ Technology	5

### > Product Specifications

Digital Signage Displays	6
Video Wall Displays	10
Open Frame Displays	12
Digital Kiosk Displays	13
Security & Surveillance Monitors	14
Healthcare Monitors	20
Multi-touch Monitors	22
Interactive Displays	24
Professional Desktop Monitors	26
Transportation Monitors	29
Mounts, Enclosures and Video Extenders	30

## Engineered to Perform, Built to Last.

You'll find AG Neovo displays performing reliably in places where few would dare use a monitor. That's because unlike conventional desktop monitors, AG Neovo displays are created to meet the needs of demanding public and professional environments. Combining advanced technologies, innovative feature sets and a distinctive design, AG Neovo is changing how the world views displays.

## Security & Surveillance

Security and surveillance operations around the world need equipment that matches the complex requirements of modern security systems, as well as stand up to the rigours of operating 24 hours a day, 7 days a week while preventing image burn-in. That is why AG Neovo provides the most comprehensive range of displays that are designed to deliver the flexibility and durability suitable for even the most stringent security environments.

## Digital Signage

With more than 20 years of experience in display and video signal control solutions, AG Neovo provides digital signage solutions that are designed for 24/7 operation in all public environments. These solutions deliver a superior viewing experience and a high-level of protection with a wide variety of possible configurations perfect for retail, education, hospitality, transportation, corporations and healthcare institutions.

## Professional Desktop / IT

AG Neovo offers a variety of display types, from everyday office use models with ergonomic stands and multitasking features to professional healthcare displays that are compliant with medical-grade certified power supplies to ensure their reliable performance. Attractive, durable and versatile, AG Neovo professional desktop and IT displays are designed to meet the demands of unique environments.

## Video Wall

Using multiple panels working in tandem, video walls offer businesses the ability to make an immediate impact in public spaces by creating eye-catching experiences that draw the viewer's attention at first glance. At the same time, they also give businesses the opportunity to optimise their creativity and messaging by delivering enhanced visuals beyond that which is available with single-display signage. Furthermore, from massive walls to more intimate setups, the scalability of video walls guarantee that businesses are able to create customised solutions that suit their needs.

## Meeting & Collaboration

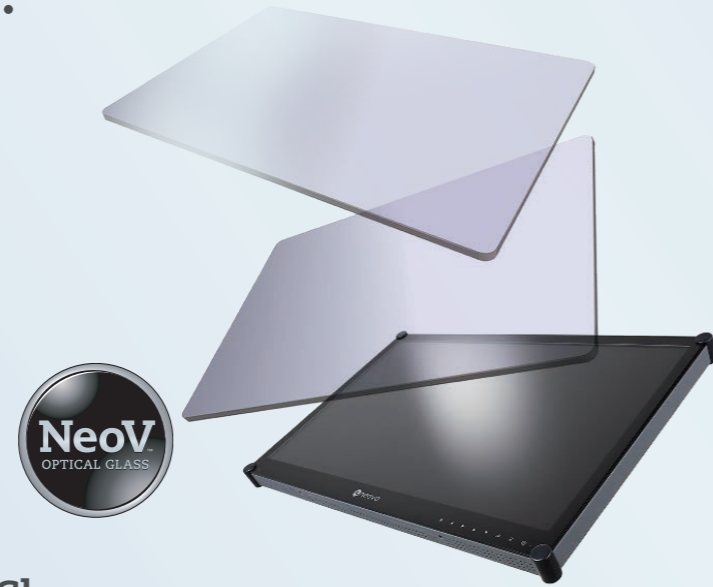
Meeting room and interactive applications demand detailed and clear image presentation; by adding multitouch capability and 4K UHD resolution, a screen becomes the centerpiece for collaborative working environments with wireless presentation connectivity for instant participation. By partnering with unique software partners for content sharing and advanced collaboration, AG Neovo's all-in-one meeting & collaboration solution, the AG Neovo Meetboard™, offers all the tools needed for presenting, collaborating and sharing ideas right out-of-the-box.



# NeoV™ Optical Glass

The most advanced and trusted hard glass protection available.

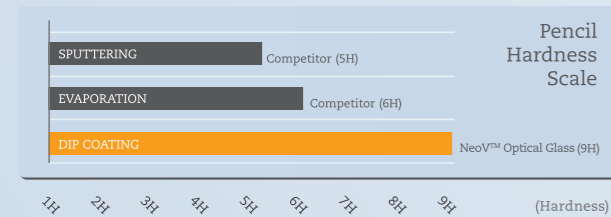
NeoV™ Optical Glass is a specially formulated, hardened optical – with a proprietary multilayer coating – to enhance image quality and protect the screen from any incidental damage incurred in high-volume environments.



## Advantages of NeoV™ Optical Glass

### Anti-Scratch Surface

Provides unparalleled resistance to scratches; the coated surface of NeoV™ Optical Glass reaches 9H, the highest grade on the pencil hardness scale.



### Anti-Reflection

Effectively decreases glare and reflection; results in 77.3% visual improvement over standard glass and improved viewing comfort.



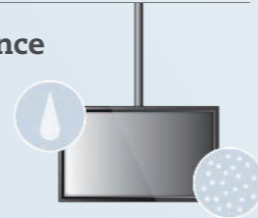
### High Impact Resistance

Prevent panels from physical damage caused by accidental crash; resist force up to 227g steel ball free-falling from a height of 200cm.



### Water and Dust Resistance

Protect panels from dust and water; prolong displays life performance in dusty and damp environments.



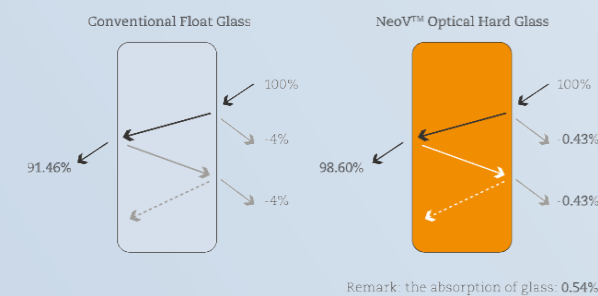
### Maintenance Made Easy

Easily cleaned and disinfected with water, alcohol and other common cleaning solutions due to high resistance towards abrasion, acid and alkali.



### High Transmittance

Provides near perfect panel brightness with a 97.7% transmittance rate, compared to an average 91% transmittance rate for competitors' products.



# Anti-Burn-in™ Technology

Preserve image quality and prevent image retention.

AG Neovo Anti-Burn-in™ technology is designed expressly to protect your investment by preventing costly image burn-in in the display's LCD panel, a common issue in security, surveillance and other environments where static images are display long periods of time.



## Advantages of Anti-Burn-in™ Technology

### Prevents Image Burn-in

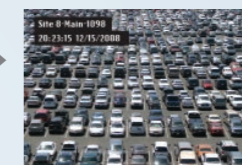
Eliminates the possibility of image burn-in through innovative design that can be turned ON or OFF as desired.



(w/o Anti-Burn-in™ Technology)



(w/ Anti-Burn-in™ Technology)



### What is "Burn-in" effect?

"Burn-in" effect is a phenomenon where images displayed for long periods of time cause the polarisation of the liquid crystal material contained within the TFT LCD panel. Polarisation of the liquid crystal material causes the image to be 'burnt' on the display.

### Continuous Surveillance

Ensures uninterrupted display of surveillance video by shifting the image imperceptibly for 15 seconds every 8 hours rather than using a screensaver function.

Uninterrupted  
DISPLAY

### Investment Protection

Guarantees full life operation of the display by eliminating the possibility damage caused by image burn-in.

Investment  
Guaranteed

# Digital Signage Displays

AG Neovo offers versatile digital signage displays, including 4K high-resolution for crisp images, commercial-grade panels for mission-critical 24/7 operation, and all-in-one screens with Android OS for various applications. You can choose suitable displays based on your business scales to ensure eye-catching content to attract passing customers in retail stores, restaurants, hospitality, or public venues.



## NSD-Series



Specifications	NSD-8601Q IPS	NSD-7501Q IPS	NSD-6501Q VA	NSD-5501Q VA	NSD-4301Q VA
TFT Panel Size	85.6"	74.5"	64.5"	54.6"	42.5"
Max. Resolution	UHD 3840 x 2160	UHD 3840 x 2160	UHD 3840 x 2160	UHD 3840 x 2160	UHD 3840 x 2160
Brightness	410 cd/m <sup>2</sup>	410 cd/m <sup>2</sup>	350 cd/m <sup>2</sup>	350 cd/m <sup>2</sup>	350 cd/m <sup>2</sup>
Contrast Ratio	1200:1	1200:1	4000:1	4000:1	5000:1
Viewing Angle (H/V)	178°/178°	178°/178°	178°/178°	178°/178°	176°/176°
Display Colour	1.07B	1.07B	1.07B	1.07B	1.07B
Response Time	5 ms	5 ms	5 ms	5 ms	5 ms
Frequency (H/V)	H: 31 kHz-92 kHz / V: 48 Hz-85 Hz	H: 31 kHz-92 kHz / V: 48 Hz-85 Hz	H: 31 kHz-92 kHz / V: 48 Hz-85 Hz	H: 31 kHz-92 kHz / V: 48 Hz-85 Hz	H: 31 kHz-92 kHz / V: 48 Hz-85 Hz
Input	DisplayPort 1.2, HDMI 2.0 x 4, VGA, RS232, RJ45, IR, USB 2.0 x 2, USB 3.0, Audio (3.5 mm)	DisplayPort 1.2, HDMI 2.0 x 4, VGA, RS232, RJ45, IR, USB 2.0 x 2, USB 3.0, Audio (3.5 mm)	DisplayPort 1.2, HDMI 2.0 x 4, VGA, RS232, RJ45, IR, USB 2.0 x 2, USB 3.0, Audio (3.5 mm)	HDMI 2.0 x 2, DVI, VGA, RS232, RJ45, IR, USB 2.0, USB 3.0, Audio (3.5 mm)	HDMI 2.0 x 2, DVI, VGA, RS232, RJ45, IR, USB 2.0, USB 3.0, Audio (3.5 mm)
Output	RS232, IR, Audio (RCA)	RS232, IR, Audio (RCA)	RS232, IR, Audio (RCA)	RS232, IR, Audio (RCA)	RS232, IR, Audio (RCA)
OS	Android 5.0.1	Android 5.0.1	Android 5.0.1	Android 5.0.1	Android 5.0.1
CPU	1 Ghz Quad Core Full HD	1 Ghz Quad Core Full HD	1 Ghz Quad Core Full HD	1 Ghz Quad Core Full HD	1 Ghz Quad Core Full HD
Memory	2 GB DDR3	2 GB DDR3	2 GB DDR3	2 GB DDR3	2 GB DDR3
Storage	8 GB eMMC	8 GB eMMC	8 GB eMMC	8 GB eMMC	8 GB eMMC
Built-in Speakers	10W x 2	10W x 2	10W x 2	10W x 2	10W x 2
Product Dimension With Base (W x H x D)	1927.9 x 1098.9 x 85.9 mm (75.9" x 43.3" x 3.4") (without base)	1676.6 x 955.0 x 73.8 mm (66.0" x 37.6" x 2.9") (without base)	1458.7 x 834.7 x 81.6 mm (54.7" x 32.9" x 3.2") (without base)	1239.2 x 711.6 x 61.7 mm (48.8" x 28.1" x 2.4") (without base)	968.2 x 559.4 x 59.9 mm (38.1" x 22.0" x 2.4") (without base)
Product Weight	63.8 kg (140.7 lb) (without base)	53.0 kg (116.8 lb) (without base)	24.8 kg (54.7 lb) (without base)	16.0 kg (35.3 lb) (without base)	8.7 kg (19.2 lb) (without base)
VESA Arm/Wall Mounting	600 x 400 mm	600 x 400 mm	400 x 400 mm	400 x 400 mm & 400 x 200 mm	400 x 400 mm & 200 x 200 mm
Features	Anti-Burn-in™, Cloud CMS, LAN CMS, 4K Media Player, HTML5 Browser, OPS Slot, HeatControl Sensor	Anti-Burn-in™, Cloud CMS, LAN CMS, 4K Media Player, HTML5 Browser, OPS Slot, HeatControl Sensor	Anti-Burn-in™, Cloud CMS, LAN CMS, 4K Media Player, HTML5 Browser, OPS Slot, HeatControl Sensor	Anti-Burn-in™, Cloud CMS, LAN CMS, 4K Media Player, HTML5 Browser, OPS Slot, HeatControl Sensor	Anti-Burn-in™, Cloud CMS, LAN CMS, 4K Media Player, HTML5 Browser, OPS Slot, HeatControl Sensor
Remarks	Optional Stand	Optional Stand	Optional Stand	Optional Stand	Optional Stand



# Digital Signage Displays

AG Neovo offers versatile digital signage displays, including 4K high-resolution for crisp images, commercial-grade panels for mission-critical 24/7 operation, and all-in-one screens with Android OS for various applications. You can choose suitable displays based on your business scales to ensure eye-catching content to attract passing customers in retail stores, restaurants, hospitality, or public venues.



## QM-Series



## QD-Series



## PM-Series



Specifications	QM-65 VA	QM-55 VA	QM-43 VA	QD-98 IPS	QD-75 IPS	PM-48 VA	PM-32 VA
TFT Panel Size	64.5"	54.6"	42.5"	97.5"	74.5"	47.6"	31.5"
Max. Resolution	UHD 3840 x 2160	UHD 3840 x 2160	UHD 3840 x 2160	UHD 3840 x 2160	UHD 3840 x 2160	FHD 1920 x 1080	FHD 1920 x 1080
Brightness	350 cd/m <sup>2</sup>	350 cd/m <sup>2</sup>	350 cd/m <sup>2</sup>	500 cd/m <sup>2</sup>	410 cd/m <sup>2</sup>	350 cd/m <sup>2</sup>	350 cd/m <sup>2</sup>
Contrast Ratio	4000:1	4000:1	5000:1	1300:1	1200:1	20000000:1 (DCR)	20000000:1 (DCR)
Viewing Angle (H/V)	178°/178°	178°/178°	176°/176°	178°/178°	178°/178°	178°/178°	178°/178°
Display Colour	1.07B	1.07B	1.07B	1.07B	1.07B	1.07B	16.7M
Response Time	5 ms	5 ms	5 ms	5 ms	5 ms	5 ms	5 ms
Frequency (H/V)	H: 31 kHz-92 kHz / V: 48 Hz-85 Hz	H: 31 kHz-92 kHz / V: 48 Hz-85 Hz	H: 31 kHz-92 kHz / V: 48 Hz-85 Hz	H: 31 kHz-92 kHz / V: 48 Hz-85 Hz	H: 31 kHz-92 kHz / V: 48 Hz-85 Hz	H: 31 kHz-92 kHz / V: 48 Hz-85 Hz	H: 31 kHz-92 kHz / V: 48 Hz-85 Hz
Input	DisplayPort 1.2, HDMI 2.0 x 4, VGA, RS232, RJ45, IR, USB 2.0 x 2, USB 3.0, Audio (3.5 mm)	HDMI 2.0 x 2, DVI, VGA, RS232, RJ45, IR, USB 2.0, USB 3.0, Audio (3.5 mm)	HDMI 2.0 x 2, DVI, VGA, RS232, RJ45, IR, USB 2.0, USB 3.0, Audio (3.5 mm)	DisplayPort 1.2, HDMI 2.0 x 3, DVI, VGA, Composite (BNC)/Component (RCA), RJ45, IR, USB 2.0, RS232, Audio (3.5 mm/RCA)	DisplayPort 1.2, HDMI 2.0 x 3, DVI, VGA, Composite (BNC)/Component (RCA), RS232, RJ45, IR, USB 2.0, Audio (3.5 mm), Audio (3.5 mm/RCA)	HDMI 1.3b, DVI, VGA, Composite (BNC), Component (RCA), RS232, RJ45, IR, USB 2.0, Audio (3.5 mm/ RCA)	HDMI 1.3b, DVI, VGA, Composite (BNC), Component (RCA), RS232, RJ45, IR, USB 2.0, Audio (3.5 mm/ RCA)
Output	RS232, IR, Audio (RCA)	RS232, IR, Audio (RCA)	RS232, IR, Audio (RCA)	DisplayPort 1.2, RS232, IR, Audio (3.5 mm/S/PDIF)	DisplayPort 1.2, RS232, IR, Audio (3.5 mm/S/PDIF)	RS232, IR, Audio (3.5 mm)	RS232, IR, Audio (RCA)
Built-in Speakers	10W x 2	10W x 2	10W x 2	10W x 2	10W x 2	10W x 2	10W X 2
Product Dimension With Base (W x H x D)	1458.7 x 834.7 x 81.6 mm (54.7" x 32.9" x 3.2") (without base)	1239.2 x 711.6 x 61.7 mm (48.8" x 28.1" x 2.4") (without base)	968.2 x 559.4 x 59.9 mm (38.1" x 22.0" x 2.4") (without base)	2193.2 x 1248.2 x 89.8 mm (86.4" x 49.1" x 3.5") (without base)	1676.6 x 955.0 x 73.8 mm (66.0" x 37.6" x 2.9") (without base)	1081.8 x 623.4 x 59.9 mm (42.6" x 24.5" x 2.4") (without base)	726.5 x 425.4 x 64.0 mm (28.6" x 16.7" x 2.5") (without base)
Product Weight	24.8 kg (54.7 lb) (without base)	16.0 kg (35.3 lb) (without base)	8.7 kg (19.2 lb) (without base)	92.0 kg (202.6 lb) (without base)	53.3 kg (117.3 lb) (without base)	11.5 kg (25.4 lb) (without base)	5.2 kg (11.5 lb) (without base)
VESA Arm/Wall Mounting	400 x 400 mm	400 x 400 mm & 400 x 200 mm	400 x 400 mm & 200 x 200 mm	800 x 500 mm	600 x 400 mm	400 x 400 mm & 400 x 200 mm	200 x 200 mm & 100 x 100 mm
Glass Type	-	-	-	-	-	-	-
Features	Anti-Burn-in™, Scheduling, USB Playback, OPS Slot, HeatControl Sensor	Anti-Burn-in™, Scheduling, USB Playback, OPS Slot, HeatControl Sensor	Anti-Burn-in™, Scheduling, USB Playback, OPS Slot, HeatControl Sensor	Anti-Burn-in™, Black-level Adjustment, USB Playback, UniWall™, HeatControl Sensor, Scheduling, Landscape/Portrait Orientation	Anti-Burn-in™, Black-level Adjustment, USB Playback, UniWall™, HeatControl Sensor, Scheduling, Landscape/Portrait Orientation	Anti-Burn-in™, Scheduling, USB Playback, 16/7 Operation, DMR Function	Anti-Burn-in™, Scheduling, USB Playback, 16/7 Operation, DMR Function
Remarks	Optional Stand	Optional Stand	Optional Stand	-	-	Optional Stand	Optional Stand

# Video Wall Displays

AG Neovo offers businesses the best way to set up a seamless video wall in public spaces. By using multiple ultra-narrow bezel screens working in tandem, the immersive visual experience can draw the viewer's attention at first glance. With the native UniWall™ feature and AG Neovo's PID Command & Ctrl software, setting up video walls and managing deployed displays cannot be easier anymore.



## PD-Series



## PN-Series



Specifications	PD-65Q IPS	PD-55Q VA	PD-43Q IPS	PD-42 IPS	PN-55D3 IPS	PN-46D VA
TFT Panel Size	64.5"	54.6"	42.5"	41.9"	54.6"	46.0"
Max. Resolution	UHD 3840 x 2160	UHD 3840 x 2160	UHD 3840 x 2160	FHD 1920 x 1080	FHD 1920 x 1080	FHD 1920 x 1080
Brightness	700 cd/m <sup>2</sup>	700 cd/m <sup>2</sup>	700 cd/m <sup>2</sup>	700 cd/m <sup>2</sup>	500 cd/m <sup>2</sup>	500 cd/m <sup>2</sup>
Contrast Ratio	1200:1	5000:1	1200:1	1300:1	1200:1	3500:1
Viewing Angle (H/V)	178°/178°	178°/178°	178°/178°	178°/178°	178°/178°	178°/178°
Display Colour	1.07G	1.07G	1.07G	1.07B	1.07B	16.7M
Response Time	5 ms	5 ms	5 ms	5 ms	5 ms	5 ms
Frequency (H/V)	H: 31 kHz-92 kHz / V: 48 Hz-85 Hz	H: 31 kHz-92 kHz / V: 48 Hz-85 Hz	H: 31 kHz-92 kHz / V: 48 Hz-85 Hz	H: 31 kHz-92 kHz / V: 48 Hz-85 Hz	H: 31 kHz-92 kHz / V: 49 Hz-85 Hz	H: 31 kHz-92 kHz / V: 48 Hz-85 Hz
Input	DisplayPort, HDMI 2.0 x 3, DVI, VGA, RS232, RJ45, IR, USB 2.0, Audio (3.5 mm/RCA)	DisplayPort, HDMI 2.0 x 3, DVI, VGA, RS232, RJ45, IR, USB 2.0, Audio (3.5 mm/RCA)	DisplayPort, HDMI 2.0 x 3, DVI, VGA, RS232, RJ45, IR, USB 2.0, Audio (3.5 mm/RCA)	DisplayPort, HDMI 1.3b x 2, DVI, VGA, Composite/Component (BNC), RS232, RJ45, IR, USB 2.0, Audio (3.5 mm/RCA)	DisplayPort 1.2, HDMI 2.0, DVI, VGA, RS232, RJ45, IR, USB 2.0, Audio (3.5 mm)	DisplayPort, HDMI 1.3b, DVI, VGA, Composite/Component (BNC), RS232, RJ45, IR, Audio (3.5 mm/RCA)
Output	DisplayPort, RS232, IR, Audio (3.5 mm)	DisplayPort, RS232, IR, Audio (3.5 mm)	DisplayPort, RS232, IR, Audio (3.5 mm)	DisplayPort, DVI-I, RS232, IR, Audio (3.5 mm)	DisplayPort, RS232, IR, Audio (3.5 mm)	DVI-I, VGA, RS232, IR, Audio (RCA)
Built-in Speakers	10W x 2	10W x 2	10W x 2	10W x 2	10 W x 2	10W x 2
Product Dimension With Base (W x H x D)	1462.3 x 837.3 x 93.4 mm (27.6" x 33.0" x 3.7") (without base)	1241.8 x 721.6 x 63.6 mm (48.9" x 28.4" x 2.5") (without base)	973.0 x 561.2 x 63.5 mm (38.3" x 22.1" x 2.5") (without base)	946.9 x 541.0 x 71.1 mm (37.3" x 21.3" x 2.8") (without base)	1213.4 x 684.2 x 102.7 mm (47.8" x 26.9" x 4.0") (without base)	1024.0 x 578.6 x 125.7 mm (40.3" x 22.8" x 4.9") (without base)
Product Weight	27.8 kg (61.3 lb) (without base)	16.6 kg (27.7 lb) (without base)	10.7 kg (23.6 lb) (without base)	15.3 kg (33.7 lb) (without base)	26.8 kg (59.1 lb) (without base)	23.0 kg (50.7 lb) (without base)
VESA Arm/Wall Mounting	400 x 400 mm	400 x 400 mm	200 x 200 mm	200 x 200 mm	400 x 400 mm	400 x 200 mm & 200 x 200 mm
Glass Type	-	-	-	-	-	-
Features	Anti-Burn-in™, UniWall™, USB Playback, Scheduling, Heat Control Sensor, Landscape/Portrait Orientation, Black-level Adjustment, Image Enhancer, DMR function, SDM Slot	Anti-Burn-in™, UniWall™, USB Playback, Scheduling, Heat Control Sensor, Landscape/Portrait Orientation, Black-level Adjustment, Image Enhancer, DMR function, SDM Slot	Anti-Burn-in™, UniWall™, USB Playback, Scheduling, Heat Control Sensor, Landscape/Portrait Orientation, Black-level Adjustment, Image Enhancer, DMR function, SDM Slot	Anti-Burn-in™, UniWall™, USB Playback, Scheduling, HeatControl Sensor, Landscape/Portrait Orientation, Image Enhancer, DMR function	Anti-Burn-in™, Scheduling, UniWall™, HeatControl Sensor, Landscape/Portrait Orientation, Image Enhancer, Gamma Selection, OPS Slot	Anti-Burn-in™, Scheduling, UniWall™, HeatControl Sensor, Landscape/Portrait Orientation, OPS Slot, PiP/PbP
Remarks	Optional Stand	Optional Stand	Optional Stand	Optional Stand	Optional Stand	Optional Stand



## Open Frame Displays

AG Neovo open frame displays are designed in various housings to serve a wide range of configurations and environmental needs. With customisable enclosures and industrial-grade design, the displays can provide outstanding visibility and reliable performance even in harsh outdoor environments and suit your industrial or commercial requirements.



## Digital Kiosk Displays

AG Neovo offers freestanding digital signage kiosk displays with movable floor stands on removable casters for convenient mobility. Featured tempered glass on the front that stretches from top to base, a robust metal casing, and a safe and secure lock in the back, the digital kiosk is suitable to display digital signage content, information for the indoor public settings to attract walking-by customers.



### PO-Series



Specifications	PO-5502	PO-55H VA
TFT Panel Size	55.0"	54.6"
Max. Resolution	FHD 1080 x 1920	FHD 1920 x 1080
Brightness	2500 cd/m <sup>2</sup>	2500 cd/m <sup>2</sup>
Contrast Ratio	4000:1	4000:1
Viewing Angle (H/V)	178°/178°	178°/178°
Display Colour	1.07B	1.07B
Response Time	5 ms	5 ms
Frequency (H/V)	H: 30 kHz-74 kHz / V: 56 kHz-76 kHz	H: 30 kHz-80 kHz / V: 56 Hz-76 Hz
Input	DisplayPort, RS232, IR, HDMI 1.4, VGA, Audio (3.5 mm)	DisplayPort, HDMI 1.4, DVI, VGA, Audio (3.5 mm), RS232
Output	Audio (3.5 mm)	Audio (3.5 mm)
Built-in Speakers	10W x 2	10W x 2
Product Dimension With Base (W x H x D)	1235.6 x 706.4 x 108.0 mm (48.6" x 27.8" x 4.3")	1248.2 x 719.0 x 119.0 mm (49.1" x 28.3" x 4.7") (without base)
Product Weight	23.5 kg (51.8 lb) (without base)	36.7 kg (80.9 lb) (without base)
VESA Arm/Wall Mounting	600 x 400 mm	400 x 400 mm
Glass Type	-	-
Features	Anti-Burn-in", Anti-Reflection Treatment, HeatControl Sensor, Landscape/Portrait Orientation	Anti-Burn-in", Anti-Reflection Treatment, EcoSmart Sensor, HeatControl Sensor, Landscape/Portrait Orientation
Remarks	-	-

### PF-Series



Specifications	PF-55H VA
TFT Panel Size	55.0"
Max. Resolution	FHD 1080 x 1920
Brightness	700 cd/m <sup>2</sup>
Contrast Ratio	4000:1
Viewing Angle (H/V)	178°/178°
Display Colour	1.07B
Response Time	5 ms
Frequency (H/V)	-
Input	HDMI 1.2, DVI, VGA, USB 2.0, Audio (3.5 mm)
Output	Audio (3.5 mm)
Built-in Speakers	10W x 2
Product Dimension With Base (W x H x D)	815.0 x 1975.0 x 651.0 mm (32.1" x 77.8" x 25.6")
Product Weight	105.0 kg (231.0 lb)
VESA Arm/Wall Mounting	-
Glass Type	Tempered Glass
Features	67 mm Slim Depth Design, HDMI Connection for Media Player/ IPC, Front-sided Tempered Glass Protection, Mobility
Remarks	Optional Touch Screen, USB Port



# Security & Surveillance Monitors

As technology advances and a greater number of surveillance options become available, many security professionals are looking to reap the benefits from new display technology. While factors such as objectives, location, scale, and budget often dictate the type of display solutions adopted, qualities such as reliability, efficiency, and longevity remain mainstays in purchasing decisions for organisations.



## QX-Series



## HX-Series



Specifications	QX-55 VA	QX-43 VA	QX-32 VA	QX-28	QX-24 IPS	HX-32E VA	HX-24G VA
TFT Panel Size	54.6"	42.5"	32.0"	27.9"	23.8"	31.5"	23.6"
Max. Resolution	UHD 3840 x 2160	UHD 3840 x 2160	UHD 3840 x 2160	UHD 3840 x 2160	UHD 3840 x 2160	FHD 1920 x 1080	FHD 1920 x 1080
Brightness	450 cd/m <sup>2</sup>	500 cd/m <sup>2</sup>	350 cd/m <sup>2</sup>	300 cd/m <sup>2</sup>	300 cd/m <sup>2</sup>	500 cd/m <sup>2</sup>	300 cd/m <sup>2</sup>
Contrast Ratio	20,000,000:1 (DCR)	20,000,000:1 (DCR)	20,000,000:1 (DCR)	20,000,000:1 (DCR)	20,000,000:1 (DCR)	3000:1	20,000,000:1 (DCR)
Viewing Angle (H/V)	178°/178°	178°/178°	178°/178°	170°/160°	178°/178°	178°/178°	170°/160°
Display Colour	1.07B	16.7M	1.07B	1.07B	1.07B	16.7M	16.7M
Response Time	5 ms	5 ms	5 ms	3 ms	5 ms	5 ms	5 ms
Frequency (H/V)	H: 31 kHz-92 kHz / V: 48 Hz-85 Hz	H: 31 kHz-92 kHz / V: 48 Hz-85 Hz	H: 31 kHz-92 kHz / V: 48 Hz-85 Hz	H: 31 kHz-92 kHz / V: 48 Hz-85 Hz	H: 31 kHz-92 kHz / V: 48 Hz-85 Hz	H: 31 kHz-92 kHz / V: 48 Hz-85 Hz	H: 24 kHz-83 kHz / V: 50 Hz-75 Hz
Input	DisplayPort 1.2, HDMI 2.0, DVI, VGA, RS232, RJ45, USB 2.0, Audio (3.5 mm)	DisplayPort 1.2, HDMI 2.0, DVI, VGA, RS232, RJ45, USB 2.0, Audio (3.5 mm)	DisplayPort 1.2, HDMI 2.0, DVI, VGA, RS232, RJ45, USB 2.0, Audio (3.5 mm)	DisplayPort 1.2, HDMI 2.0, DVI, VGA, RS232, RJ45, USB 2.0, Audio (3.5 mm)	DisplayPort 1.2, HDMI 2.0, DVI, VGA, RS232, RJ45, USB 2.0, Audio (3.5 mm)	DisplayPort 1.2, HDMI 1.4 x 2, DVI, VGA, Composite/3G-SDI (BNC), Component (BNC), RS232, RJ45, IR, USB 2.0, Audio(3.5 mm/RCA)	DisplayPort, HDMI 1.4, DVI, VGA, Composite/3G-SDI (BNC), RS232, USB 2.0, Audio (3.5 mm/RCA)
Output	-	-	-	-	-	DisplayPort, DVI, Composite/3G-SDI (BNC), RS232, IR, Audio (3.5 mm)	Composite (BNC), 3G-SDI (BNC)
Built-in Speakers	10W x 2	10W x 2	10W x 2	3W x 2	3W x 2	10W x 2	2W x 2
Product Dimension With Base (W x H x D)	1271.0 x 742.0 x 87.0 mm (50.0" x 29.2" x 3.4") (without base)	1002.5 x 589.6 x 87.0 mm (39.5" x 23.2" x 3.4") (without base)	771.0 x 461.0 x 77.0 mm (30.4" x 18.1" x 2.8") (without base)	681.0 x 565.5 x 270.0 mm (26.8" x 22.3" x 10.6")	572.6 x 514.0 x 270.0 mm (22.5" x 20.2" x 10.6")	757.6 x 452.0 x 75.1 mm (29.8" x 17.8" x 3.0") (without base)	562.4 x 392.8 x 196.0 mm (22.1" x 15.4" x 7.7")
Product Weight	39.1 kg (86.2 lb) (without base)	27.1 kg (59.7 lb) (without base)	15.7 kg (34.6 lb) (without base)	13.3 kg (29.3 lb)	10.1 kg (22.3 lb)	15.2 kg (33.5 lb) (without base)	8.1kg (17.9 lb)
VESA Arm/Wall Mounting	400 x 400 mm & 400 x 200 mm	400 x 400 mm & 400 x 200 mm	200 x 200 mm & 400 x 200 mm	100 x 100 mm & 100 x 200 mm	100 x 100 mm & 100 x 200 mm	400 x 200 mm	100 x 100 mm & 75 x 75 mm
Glass Type	NeoV™ Optical Glass	NeoV™ Optical Glass	NeoV™ Optical Glass	NeoV™ Optical Glass	NeoV™ Optical Glass	NeoV™ Optical Glass	NeoV™ Optical Glass
Features	Multi-screen Viewer, Blue-light Filter, HeatControl Sensor, EcoSmart Sensor, Landscape/Portrait Orientation	Multi-screen Viewer, Blue-light Filter, HeatControl Sensor, EcoSmart Sensor, Landscape/Portrait Orientation	Multi-screen Viewer, Blue-light Filter, HeatControl Sensor, EcoSmart Sensor	Multi-screen Viewer, Blue-light Filter, Landscape/Portrait Orientation, EcoSmart Sensor, Flicker Free	Multi-screen Viewer, Blue-light Filter, Landscape/Portrait Orientation, EcoSmart Sensor, Flicker Free	SDI (3G-SDI, HD-SDI, SD-SDI) Signal Looping, Scheduling, Tiling, HeatControl Sensor, Landscape/Portrait Orientation, EcoSmart Sensor, Alink	Gamma Selection, Black-level Adjustment, SDI (3G-SDI, HD-SDI, SD-SDI) Signal Looping, EcoSmart Sensor, PIP/PbP, Front-sided IP22
Remarks	-	-	-	-	-	Optional Stand	-

# Security & Surveillance Monitors

As technology advances and a greater number of surveillance options become available, many security professionals are looking to reap the benefits from new display technology. While factors such as objectives, location, scale, and budget often dictate the type of display solutions adopted, qualities such as reliability, efficiency, and longevity remain mainstays in purchasing decisions for organisations.



## RX-Series



## SX-Series



Specifications	RX-32E VA	RX-24G VA	RX-22G	SX-19G	SX-17G	SX-15G VA
TFT Panel Size	31.5"	23.8"	21.5"	19.0"	17.0"	15.0"
Max. Resolution	FHD 1920 x 1080	FHD 1920 x 1080	FHD 1920 x 1080	SXGA 1280 x 1024	SXGA 1280 x 1024	XGA 1024 x 768
Brightness	500 cd/m <sup>2</sup>	250 cd/m <sup>2</sup>	250 cd/m <sup>2</sup>	250 cd/m <sup>2</sup>	250 cd/m <sup>2</sup>	300 cd/m <sup>2</sup>
Contrast Ratio	3000:1	20,000,000:1 (DCR)	20,000,000:1 (DCR)	20,000,000:1 (DCR)	20,000,000:1 (DCR)	20,000,000:1 (DCR)
Viewing Angle (H/V)	178°/178°	178°/178°	170°/160°	170°/160°	170°/160°	176°/176°
Display Colour	16.7M	16.7M	16.7M	16.7M	16.7M	16.2 M
Response Time	5 ms	5 ms	5 ms	3 ms	3 ms	5 ms
Frequency (H/V)	H: 31 kHz-92 kHz / V: 48 Hz-85 Hz	H: 24 kHz-83 kHz / V: 50 Hz-75 Hz	H: 24 kHz-83 kHz / V: 50 Hz-75 Hz	H: 24 kHz-83 kHz / V: 50 Hz-75 Hz	H: 24 kHz-83 kHz / V: 50 Hz-75 Hz	H: 24 kHz-83 kHz / V: 50 Hz-75 Hz
Input	DisplayPort 1.2, HDMI 1.4 x 2, DVI, VGA, Composite (BNC), Component (BNC), RS232, RJ45, IR, USB 2.0, Audio (3.5 mm/RCA)	DisplayPort, HDMI 1.4, DVI, VGA, Composite (BNC) x 2, S-Video, RS232, USB 2.0, Audio (3.5 mm/RCA)	DisplayPort, HDMI 1.4, DVI, VGA, Composite (BNC) x 2, S-Video, RS232, USB 2.0, Audio (3.5 mm/RCA)	DisplayPort, HDMI 1.4, DVI, VGA, Composite (BNC) x 2, S-Video, RS232, USB 2.0, Audio (3.5 mm/RCA)	DisplayPort, HDMI 1.4, DVI, VGA, Composite (BNC) x 2, S-Video, RS232, USB 2.0, Audio (3.5 mm/RCA)	DisplayPort, HDMI 1.4, DVI, VGA, Composite (BNC) x 2, S-Video, RS232, USB 2.0, Audio (3.5 mm/RCA)
Output	DisplayPort 1.2, DVI, Composite (BNC), RS232, IR, Audio (3.5 mm)	Composite (BNC), Audio (RCA)	Composite (BNC), Audio (RCA)	Composite (BNC) x 2, Audio (RCA)	Composite (BNC) x 2, Audio (RCA)	Composite (BNC) x 2, Audio (RCA)
Built-in Speakers	10W x 2	2W x 2	2W x 2	2W x 2	2W x 2	2W x 2
Product Dimension With Base (W x H x D)	757.6 x 452.0 x 75.1 mm (29.8" x 17.8" x 3.0") (without base)	562.4 x 352.6 x 56.2 mm (22.1" x 13.9" x 2.2")	513.2 x 324.3 x 56.2 mm (20.2" x 12.8" x 2.2")	445.4 x 420.2 x 175.0 mm (17.5" x 16.5" x 6.9")	409.4 x 398.2 x 175.0 mm (16.1" x 15.7" x 6.9")	380.0 x 359.0 x 155.0 mm (15.0" x 14.1" x 6.1")
Product Weight	15.0 kg (33.1 lb) (without base)	7.3 kg (16.1lb)	6.0 kg (13.2 lb)	6.9 kg (15.2 lb)	6.1 kg (13.4 lb)	4.8 kg (10.6 lb)
VESA Arm/Wall Mounting	400 x 200 mm	100 x 100 mm & 75 x 75 mm	100 x 100 mm & 75 x 75 mm	100 x 100 mm & 75 x 75 mm	100 x 100 mm & 75 x 75 mm	100 x 100 mm & 75 x 75 mm
Glass Type	NeoV™ Optical Glass	NeoV™ Optical Glass	NeoV™ Optical Glass	NeoV™ Optical Glass	NeoV™ Optical Glass	NeoV™ Optical Glass
Features	Gamma Selection, Scheduling, Tiling, Landscape/Portrait Orientation, EcoSmart Sensor	Gamma Selection, Black-level Adjustment, EcoSmart Sensor, PiP/PbP, Front-sided IP22	Gamma Selection, Black-level Adjustment, EcoSmart Sensor, PiP/PbP, Front-sided IP22	Gamma Selection, Black-level Adjustment, EcoSmart Sensor, PiP/PbP, Front-sided IP22	Gamma Selection, Black-level Adjustment, EcoSmart Sensor, PiP/PbP, Front-sided IP22	Gamma Selection, Black-level Adjustment, EcoSmart Sensor, PiP/PbP, Front-sided IP22
Remarks	Optional Stand	Available in Black and White	Available in Black and White	-	-	-



# Security & Surveillance Monitors

As technology advances and a greater number of surveillance options become available, many security professionals are looking to reap the benefits from new display technology. While factors such as objectives, location, scale, and budget often dictate the type of display solutions adopted, qualities such as reliability, efficiency, and longevity remain mainstays in purchasing decisions for organisations.



## SC-Series



SC-32E VA



SC-2702



SC-2402



SC-22E

Specifications	SC-32E VA	SC-2702	SC-2402	SC-22E
TFT Panel Size	31.5"	27.0"	23.8"	21.5"
Max. Resolution	FHD 1920 x 1080	FHD 1920 x 1080	FHD 1920 x 1080	FHD 1920 x 1080
Brightness	350 cd/m <sup>2</sup>	300 cd/m <sup>2</sup>	250 cd/m <sup>2</sup>	250 cd/m <sup>2</sup>
Contrast Ratio	20,000,000:1 (DCR)	20,000,000:1 (DCR)	20,000,000:1 (DCR)	20,000,000:1 (DCR)
Viewing Angle (H/V)	178°/178°	178°/178°	178°/178°	170°/160°
Display Colour	16.7M	16.7M	16.7M	16.7M
Response Time	5 ms	5 ms	5 ms	3 ms
Frequency (H/V)	H: 30 kHz-85 kHz / V: 48 Hz-75 Hz	H: 30 kHz-83 kHz / V: 50 Hz-75 Hz	H: 30 kHz-85 kHz / V: 48 Hz-75 Hz	H: 24 kHz-83 kHz / V: 50 Hz-75 Hz
Input	HDMI 1.4, DVI, VGA, Composite (BNC), USB 2.0, Audio (3.5 mm)	HDMI 1.4, VGA, Composite (BNC), Audio (3.5mm)	HDMI 1.4, VGA, Composite (BNC), Audio (3.5mm)	HDMI 1.4, VGA, Composite (BNC), USB 2.0, Audio (3.5 mm)
Output	Composite (BNC), Audio (3.5 mm)	Composite (BNC), Audio (3.5mm)	Composite (BNC), Audio (3.5mm)	Composite (BNC), Audio (3.5 mm)
Built-in Speakers	2W x 2	3W x 2	2W x 2	2W x 2
Product Dimension With Base (W x H x D)	728.8 x 540.3 x 236.8 mm (28.7" x 21.3" x 9.3")	613.8 x 453.8 x 226.5 mm (24.2" x 17.9" x 8.9")	540.1 x 408.3 x 226.5 mm (21.3" x 16.1" x 8.9")	505.2 x 380.8 x 194.0 mm (19.9" x 15.0" x 7.6")
Product Weight	8.1 kg (17.9 lb)	4.5 kg (9.9 lb)	3.4 kg (7.5 lb)	2.8 kg (6.2 lb)
VESA Arm/Wall Mounting	100 x 100 mm	100 x 100 mm	100 x 100 mm	100 x 100 mm
Glass Type	-	-	-	-
Features	-	Gamma Selection , Black-level Adjustment, Anti-Burn-in	Gamma Selection , Black-level Adjustment, Anti-Burn-in	Gamma Selection , Black-level Adjustment, Flicker Free, ALink
Remarks	-	-	-	-

# Healthcare Monitors

The displays used in medical scenarios usually require flexibility and easy field-site installation. Besides, these displays need to use EN/IEC 60601-1 certified power supplies, ensuring a safe medical environment for both patients and clinical professionals. Meanwhile, image clarity is also crucial for healthcare professionals to make the right decisions based on detailed images and visual presentations. Suppliers need to use advanced technology and provide reliable displays for increasing medical accuracy and efficiency.



## MX-Series



## DR-Series



## MD-Series



Specifications	MX-24	MX-22	DR-22G	DR-17G	MD-2702 VA	MD-2402 VA
TFT Panel Size	23.8"	21.5"	21.5"	17.0"	27.0"	23.8"
Max. Resolution	FHD 1920 x 1080	FHD 1920 x 1080	FHD 1920 x 1080	SXGA 1280 x 1024	FHD 1920 x 1080	FHD 1920 x 1080
Brightness	300 cd/m <sup>2</sup> 250 cd/m <sup>2</sup> (DICOM Preset)	250 cd/m <sup>2</sup> 180 cd/m <sup>2</sup> (DICOM Preset)	250 cd/m <sup>2</sup>	250 cd/m <sup>2</sup>	300 cd/m <sup>2</sup> 180 cd/m <sup>2</sup> (DICOM Preset)	250 cd/m <sup>2</sup> 180 cd/m <sup>2</sup> (DICOM Preset)
Contrast Ratio	20,000,000:1 (DCR)	20,000,000:1 (DCR)	20,000,000:1 (DCR)	20,000,000:1 (DCR)	20000000:1 (DCR)	20000000:1 (DCR)
Viewing Angle (H/V)	178°/178°	170°/160°	170°/160°	170°/160°	178°/178°	178°/178°
Display Colour	16.7M	16.7M	16.7M	16.7M	16.7M	16.7M
Response Time	5 ms	3 ms	3 ms	3 ms	5 ms	5 ms
Frequency (H/V)	H: 24 kHz~83 kHz / V: 50 Hz~75 Hz	H: 24 kHz~83 kHz / V: 50 Hz~75 Hz	H: 24 kHz~83 kHz / V: 50 Hz~75 Hz	H: 24 kHz~83 kHz / V: 50 kHz~75 kHz	H: 30 kHz~83 kHz / V: 50 Hz~76 Hz	H: 30 kHz~83 kHz / V: 50 Hz~76 Hz
Input	DisplayPort, HDMI 1.4, DVI, VGA, Audio (3.5 mm)	DisplayPort, HDMI 1.4, DVI, VGA, Audio (3.5 mm)	DisplayPort, HDMI 1.4, DVI, VGA, Composite (BNC) x 2, S-Video, RS232, USB 2.0, Audio (3.5 mm / RCA)	DisplayPort, HDMI 1.4, DVI, VGA, Composite (BNC) x 2, S-Video, RS232, USB 2.0, Audio (3.5 mm / RCA)	DisplayPort, HDMI 1.4, VGA	DisplayPort, HDMI 1.4, VGA
Output	-	-	Composite (BNC) x 2, Audio (RCA)	Composite (BNC), Audio (RCA)	-	-
Built-in Speakers	2W x 2	2W x 2	2W x 2	2W x 2	-	-
Product Dimension With Base (W x H x D)	562.4 x 392.8 x 196.0 mm (22.1" x 15.4" x 7.7")	513.2 x 368.5 x 155.0 mm (20.2" x 14.5" x 6.1")	513.2 x 368.5 x 155.0 mm (20.2" x 14.5" x 6.1")	409.4 x 398.2 x 175.0 mm (16.1" x 15.7" x 6.9")	612.6 x 519.8 x 249.0 mm (24.1" x 20.5" x 9.8")	539.5 x 498.0 x 249.0 mm (21.2" x 19.6" x 9.8")
Product Weight	7.8 kg (17.2 lb)	6.7 kg (14.7 lb)	6.8 kg (15.0 lb)	6.1 kg (13.4 lb)	6.1 kg (14.5 lb)	5.2 kg (11.5 lb)
VESA Arm/Wall Mounting	100 x 100 mm & 75 x 75 mm	100 x 100 mm & 75 x 75 mm	100 x 100 mm & 75 x 75 mm	100 x 100 mm & 75 x 75 mm	100 x 100 mm	100 x 100 mm
Glass Type	NeoV™ Optical Glass	NeoV™ Optical Glass	NeoV™ Optical Glass	NeoV™ Optical Glass	-	-
Features	DICOM Part 14 Preset, Gamma Selection, EcoSmart Sensor, Metal Casing	DICOM Part 14 Preset, Gamma Selection, EcoSmart Sensor, Metal Casing	Illuminator Mode, DC 24V Power Supply, Equipotential Terminal, Gamma Selection, Black-level Adjustment, EcoSmart Sensor, PiP/PbP	Illuminator Mode, DC 24V Power Supply, Equipotential Terminal, Gamma Selection, Black-level Adjustment, EcoSmart Sensor, PiP/PbP	DICOM Part 14 Preset, Ergonomically-designed Stand; EN/IEC 60601-1 certified power supply, Landscape/Portrait Orientation	DICOM Part 14 Preset, Ergonomically-designed Stand; EN/IEC 60601-1 certified power supply, Landscape/Portrait Orientation
Remarks	Optional Display Handle (HDL-02)	Optional Display Handle (HDL-02)	Optional Display Handle (HDL-02)	Optional Display Handle (HDL-01)	-	-

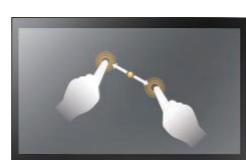
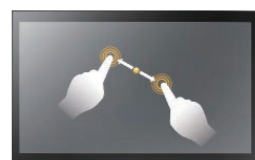


# Multi-touch Monitors

AG Neovo's multi-touch monitors and displays use the latest technology to meet a wide range of multi-touch solutions. They provide reliable quality for the professional and business market and permit direct, uninterrupted communication between users and machines. Their intuitive ease-of-use makes technology accessible to everyone. Self-service kiosks, information displays, medical systems and factory automation can be operated more efficiently with touch displays.



## TX-Series



## TM-Series

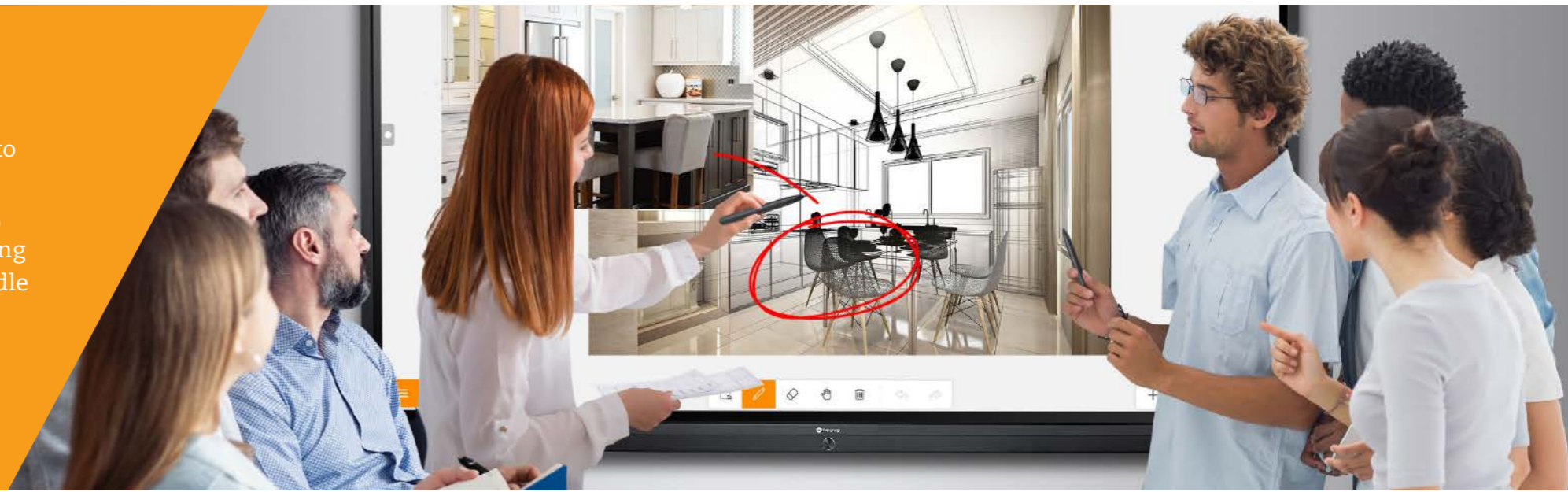


Specifications	TX-4302 VA	TX-3202 VA	TX-2202 IPS	TX-1902	TX-1702	TX-1502	TX-10	TM-23 IPS	TM-22
TFT Panel Size	42.5"	31.5"	21.5"	19.0"	17.0"	15.0"	10.1"	23.0"	21.5"
Max. Resolution	FHD 1920 x 1080	FHD 1920 x 1080	FHD 1920 x 1080	SXGA 1280 x 1024	SXGA 1280 x 1024	XGA 1024 x 768	1280 x 800	FHD 1920 x 1080	FHD 1920 x 1080
Brightness	500 cd/m <sup>2</sup>	500 cd/m <sup>2</sup>	250 cd/m <sup>2</sup>	250 cd/m <sup>2</sup>	250 cd/m <sup>2</sup>	350 cd/m <sup>2</sup>	500 cd/m <sup>2</sup>	250 cd/m <sup>2</sup>	250 cd/m <sup>2</sup>
Contrast Ratio	4000:1	3000:1	1000:1	1000:1	1000:1	800:1	800:1	20,000,000:1 (DCR)	20,000,000:1 (DCR)
Viewing Angle (H/V)	178°/178°	178°/178°	178°/178°	170°/160°	170°/160°	160°/150°	170°/170°	178°/178°	170°/160°
Display Colour	16.7M	16.7M	16.7M	16.7M	16.7M	16.2M	16.2M	16.7M	16.7M
Response Time	5 ms	5 ms	5 ms	3 ms	3 ms	5 ms	5 ms	5 ms	3 ms
Frequency (H/V)	H: 30 kHz-73 kHz / V: 47 Hz-63 Hz	H: 30 kHz-68 kHz / V: 47 Hz-63 Hz	H: 30 kHz-84 kHz / V: 50 Hz-76 Hz	H: 31 kHz-80 kHz / V: 50 Hz-75 Hz	H: 31 kHz-80 kHz / V: 50 Hz-75 Hz	H: 31 kHz-61 kHz / V: 55 Hz-75 Hz	H: 31 kHz-50 kHz / V: 56 Hz-60 Hz	H: 30 kHz-83 kHz / V: 50 Hz-76 Hz	H: 30 kHz-83 kHz / V: 50 Hz-76 Hz
Input	DisplayPort, HDMI 1.3, DVI, VGA, Audio (3.5 mm), RJ11, SDM-L	DisplayPort, HDMI 1.4, VGA	DisplayPort, HDMI 1.4, VGA, RJ11	DisplayPort, HDMI 1.4, VGA, RJ11	DisplayPort, HDMI 1.4, VGA, RJ11	DisplayPort, HDMI 1.4, VGA, RJ11	DisplayPort, HDMI 1.3, VGA, RJ45	DisplayPort, HDMI 1.3, VGA, USB HUB (3.0 x 4), Audio (3.5 mm)	DisplayPort, HDMI 1.3, VGA, USB HUB (3.0 x 4), Audio (3.5 mm)
Output	DC 5V, 2.0A	-	-	-	-	-	USB Type B Touch Port	-	-
Built-in Speakers	8W x 2	-	-	-	-	-	-	2W x 2	2W x 2
Product Dimension With Base (W x H x D)	983.2 x 571.4 x 82.3 mm (38.7" x 22.5" x 3.2") (without base)	742.4 x 436.8 x 61.2 mm (29.2" x 17.1" x 2.4") (without base)	528.6 x 346.7 x 214.2 mm (20.8" x 13.7" x 8.4")	427.0 x 374.6 x 214.2 mm (16.8" x 14.7" x 8.4")	380.0 x 343.4 x 214.2 mm (15.0" x 13.5" x 8.4")	348.4 x 312.7 x 214.2 mm (13.7" x 12.3" x 8.4")	260.7 x 183.4 x 39.4 mm (10.3" x 7.2" x 1.6")	561.0 x 400.0 x 238.5 mm (22.1" x 15.7" x 9.4")	522.4 x 387.4 x 238.5 mm (20.6" x 15.3" x 9.4")
Product Weight	19.5 kg (43.0 lb)(without base)	10.4 kg (22.8 lb) (without base)	6.7 kg (14.8 lb)	6.5 kg (14.3 lb)	5.8 kg (12.8 lb)	4.6 kg (10.1 lb)	1.4 kg (3.1 lb)	6.6 kg (14.6 lb)	6.3 kg (13.9 lb)
VESA Arm/Wall Mounting	400 x 400 mm	200 x 200 mm	100 x 100 mm	100 x 100 mm	100 x 100 mm	100 x 100 mm	100 x 100 mm	100 x 100 mm	100 x 100 mm
Glass Type	Tempered Glass	Tempered Glass	Tempered Glass	Tempered Glass	Tempered Glass	Tempered Glass	Tempered Glass	Tempered Glass	Tempered Glass
Features	PCAP Touch Technology, Through-Glass Touch Capability, SDM Slot, Front-sided IP65, RJ11 for optional OSD external remote control, Landscape/Portrait Orientation	PCAP Touch Technology, Through-Glass Touch Capability, Front-sided IP65, Landscape/Portrait Orientation	PCAP Touch Technology, Front-sided IP65, RJ11 for optional OSD external remote control	PCAP Touch Technology, Front-sided IP65, RJ11 for optional OSD external remote control	PCAP Touch Technology, Front-sided IP65, RJ11 for optional OSD external remote control	PCAP Touch Technology, Front-sided IP65, RJ11 for optional OSD external remote control	Projected Capacitive Touch Technology, RJ45 for wired OSD control	Projected Capacitive Touch Technology, Dual-hinge Stand	Projected Capacitive Touch Technology, Dual-hinge Stand
Remarks	40-point multi-touch plug & play for Windows 7/8/10 Multi-touch by driver for Linux and Android OS	30-point multi-touch plug & play for Windows 7/8/10 Multi-touch by driver for Linux and Android OS	10-point multi-touch plug & play for Windows 7/8/10 Multi-touch by driver for Linux and Android OS	10-point multi-touch plug & play for Windows 7/8/10 Multi-touch by driver for Linux and Android OS	10-point multi-touch plug & play for Windows 7/8/10 Multi-touch by driver for Linux and Android OS	10-point multi-touch plug & play for Windows 7/8/10 Multi-touch by driver for Linux and Android OS	10-point multi-touch plug & play for Windows 7/8/10 Multi-touch by driver for Linux and Android OS	10-point touch for Windows 10 by plug & play	10-point touch for Windows 10 by plug & play

All specifications are subject to change without prior notice.

# Interactive Displays

AG Neovo interactive displays and Meetboard offer you all the tools needed to present, collaborate, and share ideas right out of the box. Ranging from 65", 75" to 86", the interactive displays integrate a digital whiteboard application, wireless presentation capability. They are compatible with more apps, creating an innovative, engaging, hands-on collaboration for business meetings, huddle room brainstorming or classroom.



## IFP-Series



Specifications	IFP-8602 IPS	IFP-7502 IPS	IFP-6502 IPS
TFT Panel Size	85.6"	74.5"	64.5"
Max. Resolution	UHD 3840 x 2160	UHD 3840 x 2160	UHD 3840 x 2160
Brightness	350 cd/m <sup>2</sup>	350 cd/m <sup>2</sup>	350 cd/m <sup>2</sup>
Contrast Ratio	1200:1	1100:1	1200:1
Viewing Angle (H/V)	178°/178°	178°/178°	178°/178°
Display Colour	1.07B	1.07B	1.07B
Response Time	5 ms	5 ms	5 ms
Frequency (H/V)	H: 30 kHz-80 kHz / V: 50 Hz-76 Hz	H: 30 kHz-80 kHz / V: 50 Hz-76 Hz	H: 30 kHz-80 kHz / V: 50 Hz-76 Hz
Input	HDMI 2.0 x 3, VGA, RS232, RJ45, USB 2.0 x 3, USB 3.0 x 3, Audio (3.5mm)	HDMI 2.0 x 3, VGA, RS232, RJ45, USB 2.0 x 3, USB 3.0 x 3, Audio (3.5mm)	HDMI 2.0 x 3, VGA, RS232, RJ45, USB 2.0 x 3, USB 3.0 x 3, Audio (3.5mm)
Output	HDMI 2.0, Audio (3.5mm), S/PDIF	HDMI 2.0, Audio (3.5mm), S/PDIF	HDMI 2.0, Audio (3.5mm), S/PDIF
OS	Android 8.0	Android 8.0	Android 8.0
CPU	Dual core A73+Dual core A53	Dual core A73+Dual core A53	Dual core A73+Dual core A53
Memory	3GB DDR3	3GB DDR3	3GB DDR3
Storage	16GB Standard	16GB Standard	16GB Standard
Built-in Speakers	16W x 2	16W x 2	16W x 2
Product Dimension With Base (W x H x D)	1957.2 x 1160.0 x 86.0 mm (77.1" x 45.6" x 3.4") (without base)	1710.0 x 1020.0 x 86.0 mm (67.3" x 40.2" x 3.4") (without base)	1489.0 x 897.0 x 86.0 mm (58.6" x 35.3" x 3.4") (without base)
Product Weight	66.0 kg (145.5 lb) (without base)	50.6 kg (111.6 lb) (without base)	39.0 kg (86.0 lb) (without base)
VESA Arm/Wall Mounting	800 x 600 mm	800 x 400 mm	600 x 400 mm
Glass Type	Anti-Glare Glass	Anti-Glare Glass	Anti-Glare Glass
Features	Whiteboard and annotation software, WPS Office Suite App, Content wireless sharing, Infrared Touch Frame Technology, for Windows 7/8/10/11, Android/Linux (kernel version 3.5+), Chrome OS (39 or above) by plug & play, macOS by UPDD driver	Whiteboard and annotation software, WPS Office Suite App, Content wireless sharing, Infrared Touch Frame Technology, for Windows 7/8/10/11, Android/Linux (kernel version 3.5+), Chrome OS (39 or above) by plug & play, macOS by UPDD driver	Whiteboard and annotation software, WPS Office Suite App, Content wireless sharing, Infrared Touch Frame Technology, for Windows 7/8/10/11, Android/Linux (kernel version 3.5+), Chrome OS (39 or above) by plug & play, macOS by UPDD driver
Remarks	Optional Mobile Cart	Optional Mobile Cart	Optional Mobile Cart

All specifications are subject to change without prior notice.



# Professional Desktop Monitors

Desktop monitors play an essential part in various modern industries. All visual presentations require a desktop monitors for different applications: Software developers need computers and desktop monitors for programming, compiling, and operation, and office workers find desktop monitors necessary for their daily work. Selecting a reliable desktop monitors has become so basic and crucial for efficiency and convenience.



## X-Series



## FS-Series



Specifications	X-24E VA	X-22E	X-19E	X-17E	X-15E VA	FS-27G IPS	FS-24G VA
TFT Panel Size	23.8"	21.5"	19.0"	17.0"	15.0"	27.0"	23.8"
Max. Resolution	FHD 1920 x 1080	FHD 1920 x 1080	SXGA 1280 x 1024	SXGA 1280 x 1024	XGA 1024 x 768	FHD 1920 x 1080	FHD 1920 x 1080
Brightness	250 cd/m <sup>2</sup>	250 cd/m <sup>2</sup>	250 cd/m <sup>2</sup>	250 cd/m <sup>2</sup>	300 cd/m <sup>2</sup>	250 cd/m <sup>2</sup>	250 cd/m <sup>2</sup>
Contrast Ratio	20,000,000:1 (DCR)	20,000,000:1 (DCR)	20,000,000:1 (DCR)	20,000,000:1 (DCR)	20,000,000:1 (DCR)	20,000,000:1 (DCR)	20,000,000:1 (DCR)
Viewing Angle (H/V)	178°/178°	170°/160°	170°/160°	170°/160°	176°/176°	178°/178°	178°/178°
Display Colour	16.7M	16.7M	16.7M	16.7M	16.2M	16.7M	16.7M
Response Time	5 ms	3 ms	3 ms	3 ms	5 ms	5 ms	5 ms
Frequency (H/V)	H: 24 kHz-83 kHz / V: 50 Hz-75 Hz	H: 24 kHz-83 kHz / V: 50 Hz-75 Hz	H: 24 kHz-83 kHz / V: 50 Hz-75 Hz	H: 24 kHz-83 kHz / V: 50 Hz-75 Hz	H: 24 kHz-83 kHz / V: 50 Hz-75 Hz	H: 30 kHz-83 kHz / V: 50 Hz-75 Hz	H: 30 kHz-83 kHz / V: 50 Hz-75 Hz
Input	DisplayPort, HDMI 1.4, DVI, VGA, Audio (3.5 mm)	DisplayPort, HDMI 1.4, DVI, VGA, Audio (3.5 mm)	DisplayPort, HDMI 1.4, DVI, VGA, Audio (3.5 mm)	DisplayPort, HDMI 1.4, DVI, VGA, Audio (3.5 mm)	DisplayPort, HDMI 1.4, DVI, VGA, Audio (3.5 mm)	DisplayPort, HDMI 1.3, VGA, Audio (3.5 mm)	DisplayPort, HDMI 1.3, VGA, Audio (3.5 mm)
Output	-	-	-	-	-	Audio (3.5 mm)	Audio (3.5 mm)
Built-in Speakers	2W x 2	2W x 2	2W x 2	2W x 2	2W x 2	2W x 2	2W x 2
Product Dimension With Base (W x H x D)	562.4 x 392.8 x 196.0 mm (22.1" x 15.4" x 7.7")	513.2 x 368.5 x 155.0 mm (20.2" x 14.5" x 6.1")	445.0 x 420.2 x 175.0 mm (17.5" x 16.5" x 6.9")	409.4 x 398.2 x 175.0 mm (16.1" x 15.7" x 6.9")	380.0 x 359.0 x 155.0 mm (15.0" x 14.1" x 6.1")	613.8 x 563.3 x 244.6 mm (24.2" x 22.2" x 9.6")	540.0 x 515.9 x 204.3 mm (21.3" x 20.3" x 8.0")
Product Weight	7.8 kg (17.2 lb)	6.7 kg (14.7 lb)	6.8 kg (15.0 lb)	6.0 kg (13.2 lb)	4.6 kg (10.1 lb)	6.0 kg (13.2 lb)	4.9 kg (10.8 lb)
VESA Arm/Wall Mounting	100 x 100 mm & 75 x 75 mm	100 x 100 mm & 75 x 75 mm	100 x 100 mm & 75 x 75 mm	100 x 100 mm & 75 x 75 mm	100 x 100 mm & 75 x 75 mm	Yes (100 x 100 mm)	Yes (100 x 100 mm)
Glass Type	NeoV™ Optical Glass	NeoV™ Optical Glass	NeoV™ Optical Glass	NeoV™ Optical Glass	NeoV™ Optical Glass	-	-
Features	Gamma Selection, Black-level Adjustment, EcoSmart Sensor, Alink, Front-sided IP22	Gamma Selection, Black-level Adjustment, EcoSmart Sensor, Alink, Front-sided IP22	Gamma Selection, Black-level Adjustment, EcoSmart Sensor, Alink, Front-sided IP22	Gamma Selection, Black-level Adjustment, EcoSmart Sensor, Alink, Front-sided IP22	Gamma Selection, Black-level Adjustment, EcoSmart Sensor, Alink	Height-adjustable stand, 3-sided narrow bezel, Blue-light Filter, Flicker Free	Height-adjustable stand, 3-sided narrow bezel, Blue-light Filter, Flicker Free
Remarks	Available in black and white	Available in black and white	Available in black and white	Available in black and white	Available in black and white	-	-

## LA-Series



Specifications	LA-27 IPS	LA-24 IPS	LA-22
TFT Panel Size	27.0"	23.8"	21.5"
Max. Resolution	FHD 1920 x 1080	FHD 1920 x 1080	FHD 1920 x 1080
Brightness	250 cd/m <sup>2</sup>	270 cd/m <sup>2</sup>	300 cd/m <sup>2</sup>
Contrast Ratio	20,000,000:1 (DCR)	20,000,000:1 (DCR)	20,000,000:1 (DCR)
Viewing Angle (H/V)	178°/178°	178°/178°	170°/160°
Display Colour	16.7M	16.7M	16.7M
Response Time	5 ms	5 ms	3 ms
Frequency (H/V)	30 kHz-83 KHz / 56 Hz-75 Hz	30 kHz-83 KHz / 56 Hz-75 Hz	30 kHz-83 KHz / 56 Hz-75 Hz
Input	DisplayPort 1.2, HDMI 1.3, VGA, Audio (3.5 mm)	DisplayPort 1.2, HDMI 1.3, VGA, Audio (3.5 mm)	DisplayPort 1.2, HDMI 1.3, VGA, Audio (3.5 mm)
Output	Audio (3.5 mm)	Audio (3.5 mm)	Audio (3.5 mm)
Built-in Speakers	2W x 2	2W x 2	2W x 2
Product Dimension With Base (W x H x D)	612.0 x 452.0 x 226.0 mm (24.1" x 17.8" x 8.9")	555.0 x 433.0 x 226.0 mm (21.9" x 17.0" x 8.9")	511.0 x 377.0 x 183.0 mm (20.1" x 14.8" x 7.2")
Product Weight	4.3 kg (9.5 lb)	3.5 kg (7.7 lb)	3.4 kg (7.5 lb)
VESA Arm/Wall Mounting	100 x 100 mm	100 x 100 mm	100 x 100 mm
Glass Type	-	-	-
Features	Blue-light Filter, Flicker Free	Blue-light Filter, Flicker Free	Blue-light Filter, Flicker Free
Remarks	-	-	-

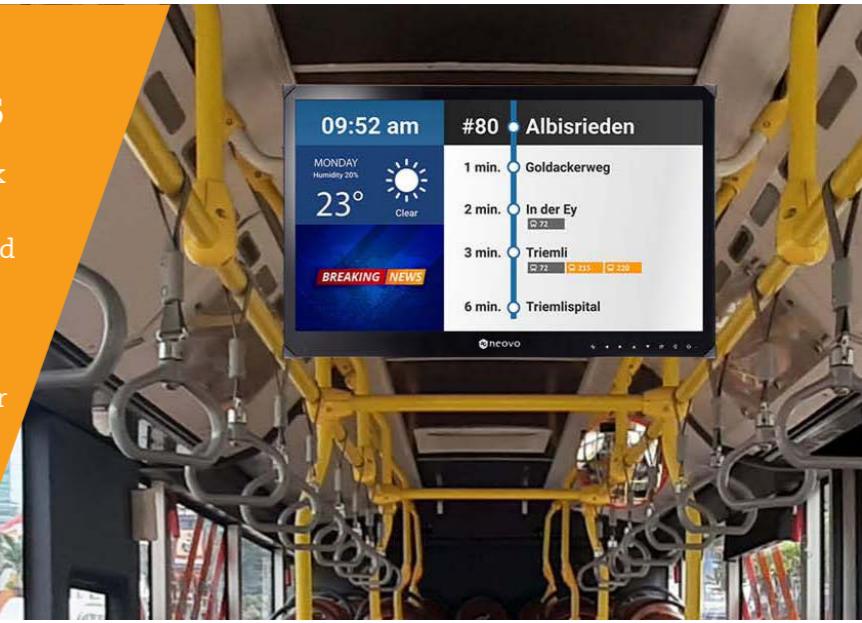
## LH-Series



Specifications	LH-27 IPS	LH-24	LH-22
TFT Panel Size	27.0"	23.8"	21.5"
Max. Resolution	FHD 1920 x 1080	FHD 1920 x 1080	FHD 1920 x 1080
Brightness	250 cd/m <sup>2</sup>	270 cd/m <sup>2</sup>	300 cd/m <sup>2</sup>
Contrast Ratio	20,000,000:1 (DCR)	20,000,000:1 (DCR)	20,000,000:1 (DCR)
Viewing Angle (H/V)	178°/178°	178°/178°	170°/160°
Display Colour	16.7M	16.7M	16.7M
Response Time	5 ms	5 ms	3 ms
Frequency (H/V)	30 kHz-83 KHz / 56 Hz-75 Hz	30 kHz-83 KHz / 56 Hz-75 Hz	30 kHz-83 KHz / 56 Hz-75 Hz
Input	DisplayPort 1.2, HDMI 1.3, VGA, Audio (3.5 mm)	DisplayPort 1.2, HDMI 1.3, VGA, Audio (3.5 mm)	DisplayPort 1.2, HDMI 1.3, VGA, Audio (3.5 mm)
Output	Audio (3.5 mm)	Audio (3.5 mm)	Audio (3.5 mm)
Built-in Speakers	2W x 2	2W x 2	2W x 2
Product Dimension With Base (W x H x D)	612.0 x 517.0 x 243.0 mm (24.1" x 20.4" x 9.6")	555.0 x 512.0 x 204.0 mm (21.9" x 20.2" x 8.0")	511.0 x 465.6 x 204.0 mm (20.1" x 18.3" x 8.0")
Product Weight	6.2 kg (13.7 lb)	4.9 kg (10.8 lb)	4.6 kg (10.1 lb)
VESA Arm/Wall Mounting	100 x 100 mm	100 x 100 mm	100 x 100 mm
Glass Type	-	-	-
Features	Blue-light Filter, Flicker Free	Blue-light Filter, Flicker Free	Blue-light Filter, Flicker Free
Remarks	-	-	-

## Transportation Monitors

AG Neovo offers freestanding digital signage kiosk displays with movable floor stands on removable casters for convenient mobility. Featured tempered glass on the front that stretches from top to base, a robust metal casing, and a safe and secure lock in the back, the digital kiosk is suitable to display digital signage content, information for the indoor public settings to attract walking-by customers.



## TBX-Series

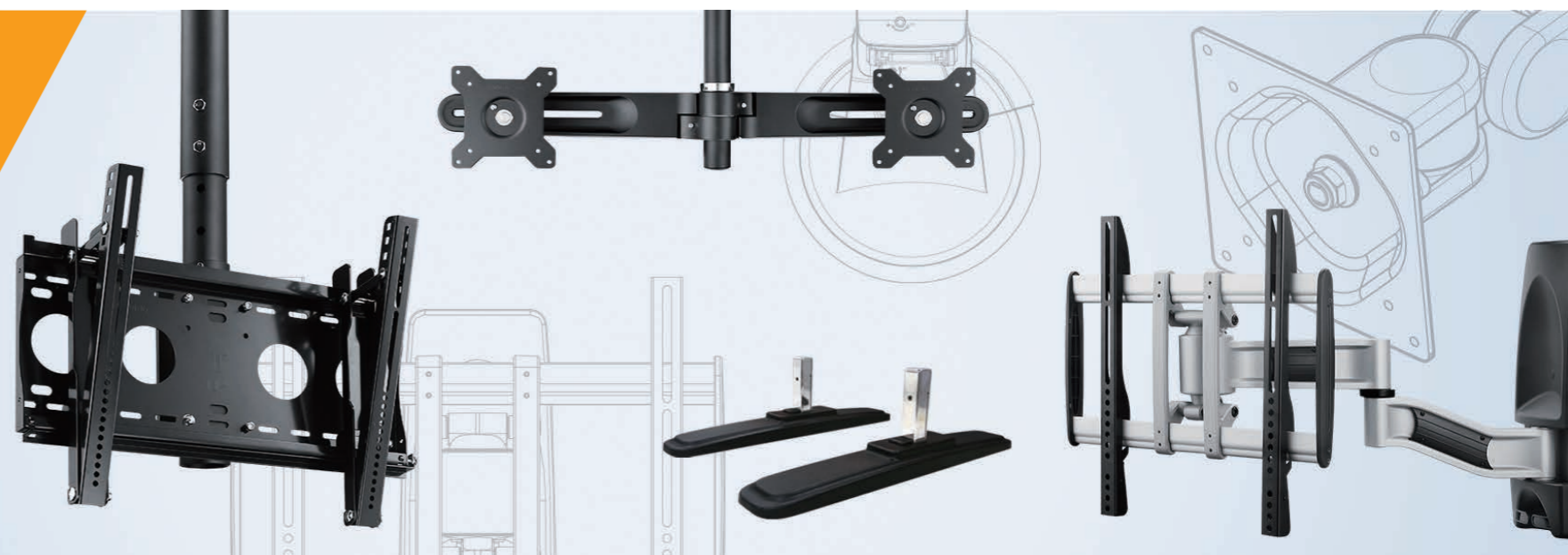


Specifications	TBX-2201 VA
TFT Panel Size	21.5"
Max. Resolution	FHD 1920 x 1080
Brightness	250 cd/m <sup>2</sup>
Contrast Ratio	20,000,000:1 (DCR)
Viewing Angle (H/V)	178°/178°
Display Colour	16.7M
Response Time	5 ms
Frequency (H/V)	H: 24 kHz-83 kHz / V: 50 Hz-85 Hz
Input	HDMI 1.4, RS232, RJ45, USB 2.0, Audio (3.5 mm/RCA)
Output	HDMI 1.4, RS232
Built-in Speakers	2W x 2
Product Dimension With Base (W x H x D)	507.6 x 318.7 x 68.3 mm (20.0" x 12.6" x 2.7")
Product Weight	6.8 kg (15.0 lb)
VESA Arm/Wall Mounting	100 x 100 mm & 75 x 75 mm
Glass Type	NeoV™ Optical Glass
Features	Wide range power supply (DC 8-36V), E-Mark (E13) certification
Remarks	-



# Mounts, Enclosures and Video Extenders

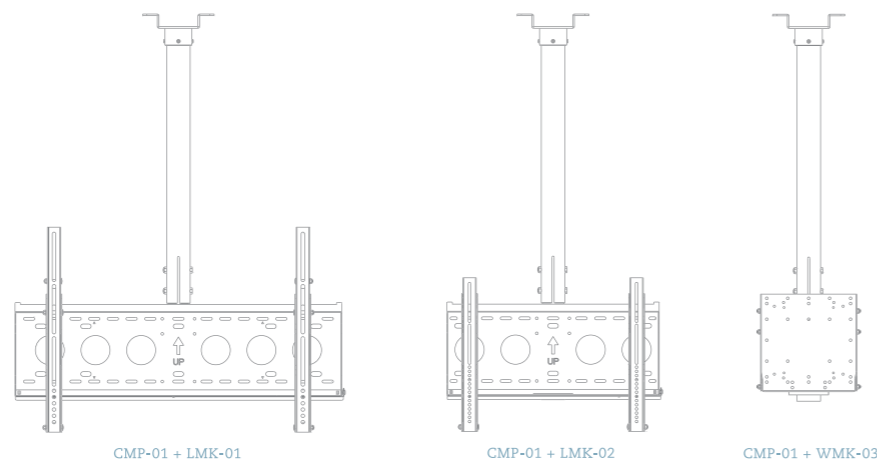
Installation methods and display accessories play an important role for display deployments in the application locations. Suppliers need to offer various mounting devices so that users can easily find the suitable solutions that meet their requirements. All related accessories are also needed to be available to increase user's application efficiency and performance.



## Ceiling Mounts



		CMP-01+ LMK-01	CMP-01+LMK-02	CMP-01+WMK-03
Mounting	VESA Standard	Max. 725.0 x 450.0 mm	Max. 440 x 330 mm	100 x 100 mm / 200 x 100 mm / 200 x 200 mm
Loading	Weight Capacity	60.0 kg (132.3 lb) Per side	60.0 kg (132.3 lb) Per side	60.0 kg (132.3 lb) Per side
Adjustment	Swivel	360°	360°	360°
	Height	924.0-1424.0 mm (36.4"-56.1")	924.0-1424.0 mm (36.4"-56.1")	924.0-1424.0 mm (36.4"-56.1")
Exterior	Material	Steel	Steel	Steel
	Colour	Black	Black	Black
Dimensions	Net (W x H x D)	788.0 x 1,424.0 x 401.0 mm (31.0" x 56.1" x 15.7")	508.0 x 1,424.0 x 338.0 mm (20.0" x 56.1" x 13.3")	248.0 x 1,424.0 x 216.0 mm (9.8" x 56.1" x 8.6")
	Packing (W x H x D)	CMP-01 Box : 975.0 x 270.0 x 229.0 mm (38.4" x 10.6" x 9.0") LMK-01 Box : 836.0 x 245.0 x 54.0 mm (32.9" x 9.7" x 2.1")	CMP-01 Box : 975.0 x 270.0 x 229.0 mm (38.4" x 10.6" x 9.0") LMK-02 Box : 556.0 x 245.0 x 54.0 mm (21.9" x 9.6" x 2.1")	CMP-01 Box : 975.0 x 270.0 x 229.0 mm (38.4" x 10.6" x 9.0") WMK-03 Box : 244.0 x 267.0 x 54.0 mm (9.6" x 10.5" x 2.1")
Weight	Net Weight	11.9 kg (24.9 lb)	10.6 kg (23.4 lb)	9.0 kg (19.8 lb)
	Gross Weight	13.7kg (30.2 lb)	12.1 kg (26.8 lb)	10.1 kg (22.3lb)



CMP-01 + LMK-01

CMP-01 + LMK-02

CMP-01 + WMK-03

## Video Wall Mounts



		VWM-01	VWM-02
Mounting	VESA Standard	Max. 400 x 400 mm	Max. 400 x 400 mm
Loading	Weight Capacity	80.0 kg (176.4 lb)	80.0 kg (176.4 lb)
Adjustment	Up	3.25 mm	3.25 mm
	Down	3.25 mm	3.25 mm
	Left	15.0 mm	24.5 mm
	Right	15.0 mm	24.5 mm
Exterior	Material	Steel and Aluminium	Steel and Aluminium
	Colour	Black and Silver	Black and Silver
Dimensions	Net (W x H x D)	500.0 x 526.0 x 93.0 mm (19.7" x 20.7" x 3.7")	500.0 x 532.0 x 93.0-293.0 mm (19.7" x 20.9" x 3.7"-11.5")
	Packing (W x H x D)	560.0 x 90.0 x 250.0 mm (22.0" x 3.5" x 9.8")	560.0 x 90.0 x 250.0 mm (22.0" x 3.5" x 9.8")
Weight	Net Weight	4.5 kg (9.92 lb)	7.3 kg (116.1 lb)
	Gross Weight	5.5 kg (12.0 lb)	-

## Video Wall Accessories



		VWA-01	VWA-04
Mounting	VESA Standard	Depend on AG Neovo display mount kits	Depend on AG Neovo display mount kits
Loading	Weight Capacity	80.0 kg (176.4 lb)	80.0 kg (176.4 lb)
Exterior	Material	Aluminium	Metal
	Colour	Silver	Black and Silver
Dimensions	Net (L x H x D)	2000.0 x 60.0 x 40.0 mm (78.7" x 2.4" x 1.6")	40.0 x 40.0 x 40.0 mm (1.6" x 1.6" x 1.6")
Weight	Net Weight	750.0 g (1.7 lb)	80.0 g (0.2 lb)

## Wall Mounts



		LMA-01	WMA-01
Mounting	VESA Standard	Max. 400 x 400 mm	75 x 75 mm / 100 x 100 mm / 200 x 100 mm / 200 x 200 mm
Loading	Weight Capacity	35.0 kg (77.2 lb)	25.0 kg (55.1 lb)
Adjustment	Swivel	-90° to 90°	-90° to 90°
	Tilt	-15° to 15°	-15° to 15°
Extension	Max. Distance to Wall	562.0 mm (22.1")	469.0 mm (18.5")
	Min. Distance to Wall	105.0 mm (4.1")	70.0 mm (2.8")
Exterior	Material	Steel, Aluminium alloy, Plastic	Steel, Aluminium alloy, Plastic
	Colour	Black & Silver	Black & Silver
Dimensions	Net (W x H x D)	500.0 x 450.0 x 105.0 mm (19.7" x 17.7" x 4.1")	345.0 x 285.0 x 469.0 mm (13.6" x 11.2" x 18.5")
	Packing (W x H x D)	624.0 x 124.0 x 460.0 mm (24.6" x 4.9" x 18.1")	347.0 x 98.0 x 327.0 mm (13.7" x 3.9" x 12.9")
Weight	Net Weight	7.8 kg (17.2 lb)	3.1 kg (6.9 lb)
	Gross Weight	9.3 kg (20.4 lb)	3.9 kg (8.5 lb)



		WMK-03	WMK-01	PMK-01
Mounting	VESA Standard	100 x 100 mm / 200 x 100 mm / 200 x 200 mm	75 x 75 mm / 100 x 100 mm	75 x 75 mm / 100 x 100 mm
Loading	Weight Capacity	60.0 kg (132.3 lb)	18.0 kg (40.0 lb)	14.0 kg (30.9 lb)
Adjustment	Rotation	-	-	270°
	Swivel	-	-	-90° to 90°
	Tilt	-15° to 0°	-	-90° to 90°
Exterior	Material	Steel	Steel	Steel and die-cast aluminium
	Colour	Black	Black	Black
Dimensions	Net (W x H x D)	248.0 x 230.0 x 45.0 mm (9.8" x 9.1" x 1.8")	130.0 x 140.0 x 20.0 mm (5.1" x 5.5" x 0.8")	115.0 x 115.0 x 131.0 mm (4.5" x 4.5" x 5.2")
	Packing (W x H x D)	244.0 x 55.0 x 267.0 mm (9.6" x 2.1" x 10.5")	135.0 x 175.0 x 27.0 mm (5.3" x 6.9" x 1.1")	120.0 x 120.0 x 145.0 mm (4.8" x 4.8" x 5.7")
Weight	Net Weight	2.2 kg (4.9 lb)	0.36 kg (0.79 lb)	1.5 kg (3.3 lb)
	Gross Weight	2.3 kg (5.1 lb)	0.42 kg (0.93 lb)	1.6 kg (3.5 lb)



		LMK-01	LMK-02	LMK-03
Mounting	VESA Standard	Max. 725 x 450 mm	Max. 440 x 330 mm	Max. 800 x 500 mm
Loading	Weight Capacity	80.0 kg (176.4 lb)	80.0 kg (176.4 lb)	100.0 kg (220 lb)
	Tilt	-15° to 0°	-15° to 0°	-15° to 15°
Exterior	Material	Steel	Steel	Steel
	Colour	Black	Black	Black
Dimensions	Net (W x H x D)	788.0 x 490.0 x 48.0 mm (31.0" x 19.3" x 1.9")	508.0 x 368.0 x 48.0 mm (20.0" x 14.5" x 1.9")	840.0 x 574.0 x 75.0 mm (33.1" x 22.6" x 3.0")
	Packing (W x H x D)	836.0 x 245.0 x 54.0 mm (32.9" x 9.6" x 2.1")	556.0 x 245.0 x 54.0 mm (21.9" x 9.7" x 2.1")	854.0 x 289.0 x 274.0 mm (33.6" x 11.4" x 10.8")
Weight	Net Weight	5.1 kg (11.2 lb)	3.8 kg (8.3 lb)	4.4 kg (9.6 lb)
	Gross Weight	5.9 kg (13.0 lb)	4.4 kg (9.6 lb)	5.1 kg (11.3 lb)

## Desk Mounts



		ES-02	DMS-01D	DMS-01Q
Mounting	VESA Standard	75 x 75 mm / 100 x 100 mm	75 x 75 mm / 100 x 100 mm	75 x 75 mm / 100 x 100 mm
Loading	Weight Capacity	2.0-8.0 kg (4.4-17.6 lb)	12.0 kg (26.5 lb) per hinge	8.0 kg (17.6 lb) per hinge
Adjustment	Rotation	90° (Landscape/Portrait)	360° (Default: 90°)	360° (Default: 90°)
	Swivel	360°	-20° to 20° per hinge	-20° to 20° per hinge
	Tilt	-5° to 25°	-20° to 20° per hinge	-20° to 20° per hinge
	Lift	-	-	-
Exterior	Material	Plastic	Steel, Aluminium alloy, Plastic	Steel, Aluminium alloy, Plastic
	Colour	Black	Black & Silver	Black & Silver
Dimensions	Net (W x H x D)	222.0 x 432.0 x 252.0 mm (8.7" x 17.0" x 9.9")	672.0 x 370.0 x 240.0 mm (26.5" x 18.5" x 5.7")	672.0 x 730.0 x 240.0 mm (26.5" x 28.7" x 9.4")
	Packing (W x H x D)	260.0 x 95.0 x 460.0 mm (10.2" x 3.7" x 18.1")	474.0 x 95.0 x 273.0 mm (18.7" x 3.7" x 10.7")	458.0 x 205.0 x 277.0 mm (18.0" x 8.1" x 10.9")
Weight	Net Weight	3.1 kg (6.8 lb)	3.1 kg (6.8 lb)	6.3 Kg (13.9 lb )
	Gross Weight	3.6 kg (7.9 lb)	3.6 kg (8.0 lb)	6.8 kg (14.9 lb)



		DMC-01	DMC-02D	DTS-01
Mounting	VESA Standard	75 x 75 mm / 100 x 100 mm	75 x 75 mm / 100 x 100 mm	400 x 400 mm
Loading	Weight Capacity	10.0 kg (22.0 lb)	12.0 kg (26.5 lb) per hinge	40.0 kg (88.0 lb)
Adjustment (Mounting Bracket)	Rotation	360°	360° (Default: 90°)	-
	Height	-	-	512.0-582.0-652.0 mm
	Swivel	-90° to 90°	-20° to 20° per hinge	-
	Tilt	-20° to 90°	-20° to 20° per hinge	-10° to 5°
Adjustment (Arm)	Lift	315.0 mm of Increment (-30° - 65°)	-	-
	Swivel	360°	-	-
Adjustment (Base)	Rotate	-	-	45° / 45°
Exterior	Material	Steel, Aluminium alloy, Plastic	Steel, Aluminium alloy, Plastic	Metal & Plastic
	Colour	Black & Silver	Black	Black
Dimensions	Net (W x H x D)	620.0 x 656.0 x 158.0 mm (24.4" x 25.8" x 6.2")	672.0 x 470.0 x 144.0 mm (26.5" x 18.5" x 5.7")	550.0 x 512.0-582.0-652.0 x 280.0 mm (21.7" x 20.2"-22.9"-25.7" x 11.0")
	Packing (W x H x D)	463.0 x 143.0 x 218.0 mm (18.2" x 5.6" x 8.6")	602.0 x 143.0 x 218.0 mm (23.7" x 5.6" x 8.6")	620.0 x 360.0 x 95.0 mm (24.4" x 14.2" x 3.7"-11.5")
Weight	Net Weight	3.0 kg (6.6 lb)	3.8 kg (8.3 lb)	6.2 kg (13.7 lb)
	Gross Weight	3.9 kg (8.6 lb)	4.0 kg (8.9 lb)	6.8 kg (14.9 lb)

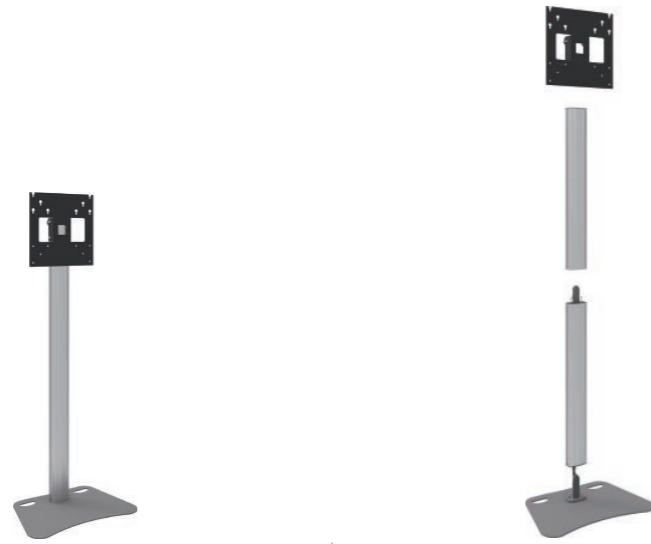
## Handles



		HDL-01	HDL-02
Compatible Models	Displays	DR-17 / DR-17P / DR-17E	DR-22 / DR-22E / MX-22 / MX-24
Exterior	Material	Metal	Metal
	Colour	White	White
Dimensions	Net (W x H x D)	295.0 x 58.0 x 27.5 mm (11.6" x 2.3" x 1.1")	295.0 x 63.5 x 22.0 mm (11.6" x 2.5" x 0.9")
	Packing (W x H x D)	320.0 x 75.0 x 40.0 mm (12.6" x 3.0" x 1.6")	320.0 x 75.0 x 40.0 mm (12.6" x 3.0" x 1.6")
Weight	Net Weight	0.4 kg (0.8 lb)	0.4 kg (0.8 lb)
	Gross Weight	0.5 kg (0.9 lb)	0.5 kg (0.9 lb)



## Floor Mounts



		FMS-01	FMS-02
Mounting	Display	Max. 65" Displays	Max. 65" Displays
	VESA Standard	Max. 400 x 400 mm	Max. 400 x 400 mm
Loading	Weight Capacity	30.0 kg (66.1 lb)	30.0 kg (66.1 lb)
Adjustment	Tilt	-	-
	Lift (Max. centre display)	1835.0 mm (72.2")	1826.0 mm (71.9")
Exterior	Material	Steel and Aluminium	Steel and Aluminium
	Colour	Dark grey and Silver	Dark grey and Silver
Dimensions	Net (W x H x D)	725.0 x 1911.0 x 480.0 mm (28.6" x 75.2" x 18.9")	725.0 x 1924.0 x 480.0 mm (28.5" x 75.7" x 18.9")
	Packing (W x H x D)	525.0 x 1,950.0 x 160.0 mm (20.7" x 76.8" x 6.3")	480.0 x 1060.0 x 160.0 mm (20.5" x 43.0" x 70.9")
Weight	Net Weight	26.0 kg (57.3 lb)	26.0 kg (57.3 lb)
	Gross Weight	32.0 kg (70.5 lb)	36.0 kg (79.4 lb)



		FMC-02	FMC-03 + LMK-04	FMC-04 + LMK-04
Mounting	Display	32" - 65" Displays	46" - 90" Displays	46" - 98" Displays
	VESA Standard	Max. 400 x 400 mm	Max. 800 x 600 mm	Max. 800 x 600 mm
Loading	Weight Capacity	30.0 kg (66.1 lb)	85.0 kg (187.4 lb)	125 kg (275.6 lb)
Adjustment	Tilt	-	-	-
	Lift (Max. centre display)	1826.0 mm (71.9") (max. centre display)	1,818 mm (71.6") (max. centre display)	1810 mm (71.3") (max. centre display)
Exterior	Material	Steel and Aluminium	Aluminium	Aluminium
	Colour	Dark grey and Silver	Dark grey and Silver	Dark grey and Silver
Dimensions	Net (W x H x D)	973.0 x 1896.0 x 641.0 mm (38.3" x 74.6" x 25.2")	1100.0 x 2133.0 x 662.5 mm (43.3" x 84.0" x 26.1")	1400.0 x 2125.0 x 800.0 mm (55.1" x 83.7" x 31.5")
	Packing (W x H x D)	680.0 x 1,860.0 x 180.0 mm (26.8" x 73.2" x 7.1")	FMC-03 Box : 1,200.0 x 2,050.0 x 800.0 mm (47.2" x 80.7" x 31.5") LMK-04 Box : 930.0 x 280.0 x 80.0 mm (36.6" x 11.0" x 3.1")	FMC-04 Box : 1,550.0 x 2,100.0 x 860.0 mm (61.0" x 82.7" x 33.9") LMK-04 Box : 930.0 x 280.0 x 80.0 mm (36.6" x 11.0" x 3.1")
Weight	Net Weight	21.5 kg (47.4 lb)	68.8 kg (151.7 lb)	76.7 kg (169.1 lb)
	Gross Weight	25.0 kg (55.1 lb)	90.7 kg (200.0 lb)	95.7 kg (211.0 lb)

## Floor Mounts



		FMC-06	FMC-05B	FWL-01B
Mounting	Display	55"-86" Displays	Max 86" Displays (With Adapter Sets)	Max 86" Displays
	VESA Standard	Max. 800 x 600 mm	Max. 800 x 600 mm	Max. 800 x 600 mm
Loading	Weight Capacity	100.0 kg (220.4 lb)	120.0 kg (264.6 lb)	120.0 kg (264.6 lb)
Adjustment	Height	Max. 1450.5 mm (57.1") Min. 1270.5 mm (50.0")	660.0 mm (26.0") (Electrical Stroke) 1563.0 mm (26.0") (From Floor to Display Center VESA Max. Length) 903.0 mm (26.0") (From Floor to Display Center VESA Min. Length) Electrical Speed up to 38 mm/s	870.0 mm (34.3") (Electrical Stroke) 1806.0 mm (71.1") (From Floor to Display center VESA Max length) 936.0 mm (36.6") (From Floor to Display Center VESA Mini length) Electrical Speed up to 38 mm/s
	Base Adjustment	Rotate	360°	-
Exterior	Material	Metal, Plastic	Metal	Metal
	Colour	Gray (bracket), Black (Hanging plate & Truckle)	Black	Black
Dimensions	Net (W x H x D)	1160 x 1597 x 661 mm (45.7" x 62.9" x 26.0")	1058.0 x 1135.5 x 772.0 mm (41.7" x 44.7" x 30.4")	680.0 x 1168.5 x 250.0 mm (26.8" x 44.7" x 9.8")
	Packing (W x H x D)	1625 x 160 x 765 mm (64.0" x 6.3" x 30.1")	1200.0 x 800.0 x 320.0 mm (47.2" x 31.5" x 12.6")	760.0 x 560.0 x 240.0 mm (29.9" x 22.0" x 9.4")
Weight	Net Weight	18.0 kg (39.7 lb)	41.0 kg (90.4 lb)	33.6 kg (74.1 lb)
	Gross Weight	23.0 kg (50.7 lb)	48.0 kg (105.8 lb)	39.3 kg (86.6 lb)

## Floor Mount Accessories



		FMA-01 Soundbar Bracket	FMA-02 Camera Support
Loading	Weight Capacity	4.0kg (8.8 lb)	5.0kg (11.0 lb)
Adjustment	Height	-	Max. 649.0 mm (25.6") Min. 359.0 mm (14.1")
Exterior	Material	Metal	Metal
	Colour	Black	Black
Dimensions	Net (W x H x D)	750.0 x 550.0 x 1.5 mm (29.5" x 21.7" x 0.06")	229.0 x 704.0 x 304.0 mm (9.0" x 27.7" x 12.0")
	Packing (W x H x D)	760.0 x 580.0 x 30.0 mm (29.9" x 22.8" x 0.12")	300.0 x 250.0 x 230.0 mm (11.8" x 9.8" x 9.1")
Weight	Net Weight	4.0 kg (8.8 lb)	4.0 kg (8.8 lb)
	Gross Weight	5.0 kg (11.0 lb)	5.5 kg (12.1 lb)

## Stands



		STD-04	STD-05	STD-06	STD-07	STD-08
Compatible Models	Displays	PD-42 / PD-49 / PD-55 / PN-46 / RX-42E / RX-55E / HX-42E / HX-55E	PN-46D / PN-55D / PN-55H / PS-46 / PS-55	PM-32	PM-43 / PM-48 / PM-55 / QM-43 / QM-55 / QM-43A / QM-55A	PM-65 / PM-65P / QM-65 / QM-65A
Exterior	Material	Metal & Plastic	Metal & Plastic	Metal & Plastic	Metal & Plastic	Metal & Plastic
	Colour	Black	Black	Black	Black	Black
Dimensions	Net (W x H x D)	330.0 x 126.0 x 75.0 mm (13.0" x 5.0" x 3.0") Per Piece	400.0 x 127.0 x 65.0 mm (12.5" x 5.0" x 2.6") Per Piece	240.0 x 113.0 x 60.0 mm (9.4" x 4.4" x 2.4") Per Piece 23.1 x 97.8 x 64.0 mm (0.9" x 4.4" x 2.4") Per Piece	330.0 x 126.0 x 75.0 mm (13.0" x 5.0" x 3.0") Per Piece 23.1 x 97.8 x 64.0 mm (0.9" x 4.4" x 2.4") Per Piece	400.0 x 726.0 x 65.0 mm (15.7" x 28.6" x 2.6") Per Piece
	Packing (W x H x D)	398.0 x 244.0 x 124.0 mm (15.7" x 8.8" x 4.9")	446.0 x 221.0 x 177.0 mm (17.6" x 8.7" x 7.0")	290.0 x 90.0 x 93.0 mm (11.4" x 3.5" x 3.7")	398.0 x 244.0 x 124.0 mm (15.7" x 8.8" x 4.9")	776.0 x 321.0 x 155.0 mm (30.6" x 12.6" x 6.1")
Weight	Net Weight	1.7 kg (3.7 lb)	2.1 kg (4.6 lb)	1.5 kg (3.3 lb)	1.9 kg (4.2 lb)	5.0 kg (11.0 lb)
	Gross Weight	2.1 kg (4.6 lb)	2.6 kg (5.7 lb)	1.7 kg (3.7 lb)	2.3 kg (5.1 lb)	6.0 kg (13.2 lb)

## Display Enclosure



		LOC-55
Loading	Applicable Sizes	55", depth max. 120 mm
Power	Power Supply	230V AC/ 50Hz
	Power Consumption	min. 25W - max. 500W (without display and PC)
Temperature	Control	Industrial fans, heating module x 2, temperature control sensor x 2
	Operating Temperature	-20° to 40°C
Exterior	Enclosure	Steel
	Glass	6,4 mm laminated safety glass, Anti-reflective
	Protection Class/ IP Rating	IP65 (Front), IP54 (Back), NEMA 4
	Doors	Lock x 2, 4 keys
	Colour	Anthracite, DB 703 fine structure
Dimension	Net (WxHxD)	1410.0 x 881.0 x 200.0 mm (55.5" x 34.6" x 7.9")
	Packaging (WxHxD)	1460.0 x 931.0 x 250.0 mm (57.5" x 36.7" x 9.8")
Weight	Net Weight	62.0 kg (136.7 lb)
	Gross Weight	69.0 kg (152.1 lb)
Accessory	Optional	Stand (LOF-55)

## Video Extenders



	HIP-Series	
Units	HIP-TA	HIP-RA
Unit Description	HDMI 1.3 Transmitter	HDMI 1.3 Receiver
HDMI Compliance	HDMI 1.3c	
HDCP Compliance	Yes	
Video Bandwidth	M-JPEG technology to process image compressing GIGABIT (10/1000) over LAN	
Video Resolutions	480i / 480p / 720p / 1080i / 1080p	
HDMI Transmission Range	Full HD: (1080p)-100 m (330 feet) (CAT5e) / 120 m (365 feet) (CAT6)HD: (720p/1080i)-100 m (330 feet) (CAT5e) / 120 m (365 feet) (CAT6)	
Audio Support	Surround Sound (up to 7.1 ch) or Stereo Digital Audio	
ESD Protection	[1] Human body model — ±15kV [air-gap discharge] & ±8kV [contact discharge] [2] Core chipset — ±8kV	
Input	1 x RJ45 / 1 x HDMI	
Output	1 x RJ45 / 1 x HDMI	
Dimensions (L x W x H)	110.0 x 58.0 x 26.0 mm (4.3" x 2.2" x 1.0")	
Weight	245.0 g	
Power Supply	2 x DC 5V/1A	
Power Consumption	3W Max Each	
Operating Temperature	0° to 40°C (32° to 104°F)	
Storage Temperature	-20° to 60°C (-4° to 140°F)	
Relative Humidity	20-90% RH (no condensation)	



**Global Headquarters**

Taipei, Taiwan

**EMEA Regional Headquarters**

Capelle a/d Ijssel, The Netherlands

**North & South America Regional Headquarters**

San Jose, CA, U.S.A.

**Asia-Pacific Regional Headquarters**

Taipei, Taiwan

**Canada Sales Office**

Vancouver, B.C., Canada

**China Sales Office**

Shanghai, China

**Czech Republic Sales Office**

Brno, Czech Republic

**Denmark Sales Office**

Støvring, Denmark

**Germany Sales Office**

Mechernich, Germany

**Italy Sales Office**

Livorno, Italy

**Poland Sales Office**

Warsaw, Poland

**Spain Sales Office**

Barcelona, Spain

**Ukraine Sales Office**

Lviv, Ukraine

[www.agneovo.com](http://www.agneovo.com)